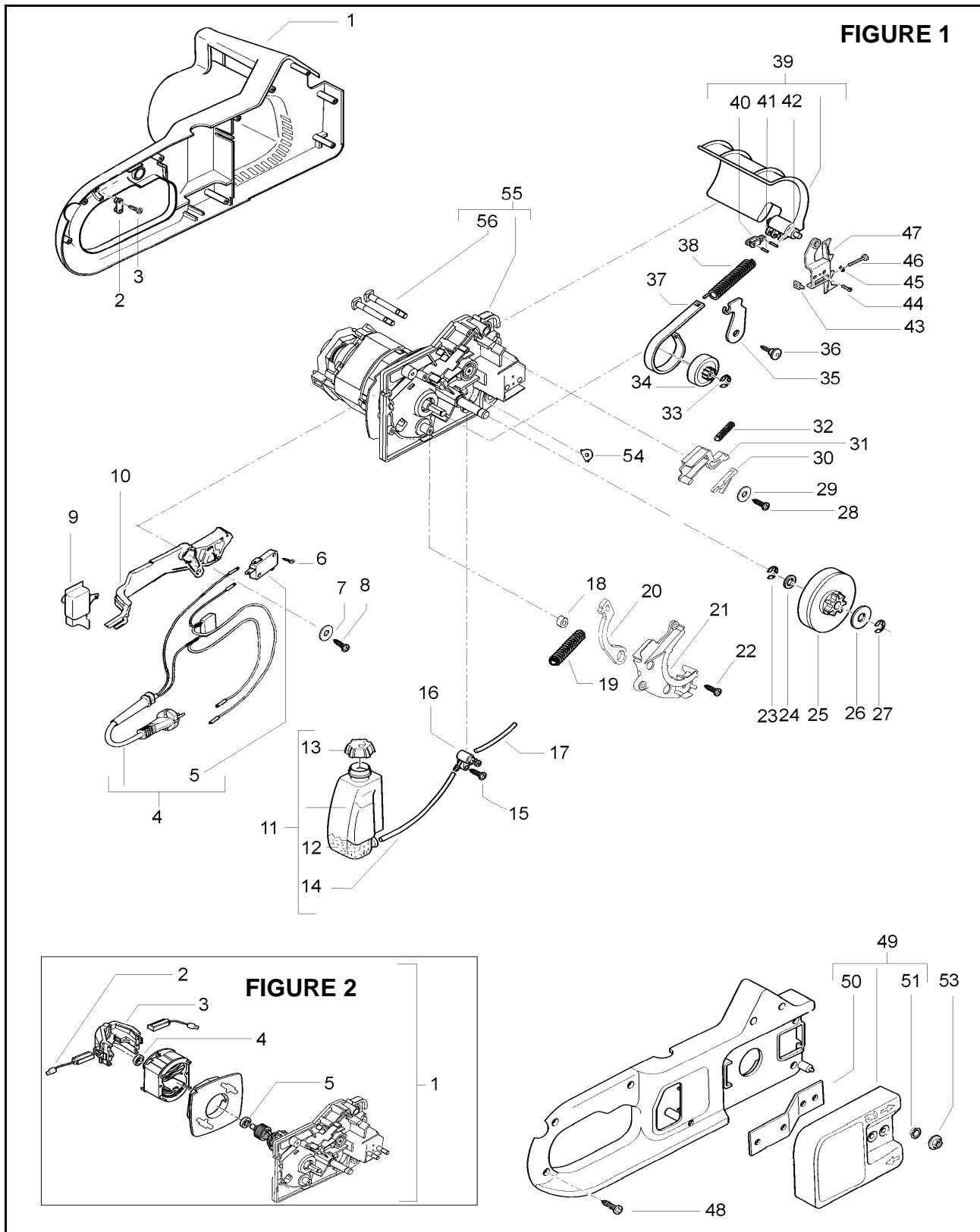


PNC	Type/Prefix/nd	Model	Brand
3150012-52 953900175	07	ELECTRAMAC 312 SCHUKO	McCULLOCH
33150014-52 953900176	07	ELECTRAMAC 314 SCHUKO	McCULLOCH
953900286	07	ELECTRAMAC 314 + GILET	McCULLOCH
3150016-52 953900177 953900610 953900287	07	ELECTRAMAC 316 SCHUKO	McCULLOCH
3160012-52 953900163	07	ELECTRAMAC 330 SCHUKO	McCULLOCH
953900309	07	ELECTRAMAC 335 ASSY UK	McCULLOCH
3160014-52 953900163	07	ELECTRAMAC 335 SCHUKO	McCULLOCH
953900237	07	ELECTRAMAC 340 ASSY UK	McCULLOCH
3160016-52 953900164 953900669 953900708 953900731	07	ELECTRAMAC 340 SCHUKO	McCULLOCH
953900730	07	ELECTRAMAC 340 SUPER	McCULLOCH
953900606	07	ELECTRAMAC 340 AUSTRALIA	McCULLOCH
953900558	07	ELECTRAMAC MES 1650	McCULLOCH
953900484	07	ELECTRAMAC MC EX 16	McCULLOCH
953900498	07	MES 316 + CHAIN OIL	McCULLOCH
953900499	07	M 335 + CHAIN OIL	McCULLOCH
953900500	07	M 340 + CHAIN OIL	McCULLOCH

Number of Pages 1 of 3

Factory: IIQ - Valmadrera	Product Group: OP 93
Publication Number: EIPL2004_VP0411004	Petrol Portable
Publication Date: 5/11/04	Sub Group 9434



Item	P/N McC	P/N ELX	Qty	DESCRIPTION
------	---------	---------	-----	-------------

Item	P/N McC	P/N ELX	Qty	DESCRIPTION
------	---------	---------	-----	-------------

FIGURE 1

1	249427	538249427	1	crankcase kit
2	241052	538241052	1	wires clamp
3	241077	538241077	2	screw
C 4	243008	538243008	1	wires ass'y(schuko)
C 4	243039	538243039	1	wires ass'y(UK)
C 4	243038	538243038	1	wires ass'y(CH)
C 4	243044	538243044	1	wires ass'y(AU)
C 5 •	242687	538242687	1	microswitch
6	240862	538240862	1	screw self threading 4x18
7	241703	538241703	1	washer
8	240833	538240833	1	screw self threading 3x20
9	243009	538243009	1	trigger
10	243014	538243014	1	trigger lever
C 11	4305	538004305	1	oil tank ass'y
12 •	242365	538242365	1	oil filter
B 13 •	241060	538241060	1	cap
C 14 •	242402	538242402	1	oil tube (tank - oil pump)
15	240862	538240862	1	screw self threading 4x18
B 16	241183	538241183	1	oil pump
17	229743	538229743	1	oil tube (oil tank - chain)
B 18	243005	538243005	1	bushing
19	243006	538243006	1	spring
B 20	243004	538243004	1	brake (stop in time)
21	243007	538243007	1	brake cover
22	240862	538240862	3	screw self threading 4x18
23	229137	538229137	1	seeger D.8
C 24	241074	538241074	1	washer 10x15x1
A 25	241038	538241038	1	gear
C 26	241075	538241075	1	washer 10x30x0,8
B 27	229137	538229137	1	seeger D.8
28	240862	538240862	3	screw self threading 4x18
29	241703	538241703	1	washer 4,5x16x0,8
C 30	243019	538243019	1	trigger lock
C 31	243018	538243018	1	slide
C 32	241574	538241574	1	spring
33	241073	538241073	1	seeger D.8
B 34	243003	538243003	1	pinion
35	241044	538241044	1	lever
36	241045	538241045	1	screw
37	241500	538241500	1	brake metal stripping
38	241451	538241451	1	brake spring
39	247717	538247717	1	brake lever ass'y
40 •	241043	538241043	1	toggle
41 •	229394	538229394	1	pin
42 •	241978	538241978	1	pin

43	241037	538241037	1	tensioner nut
44	229082	538229082	1	screw
45	235367	538235367	1	seeger ring
46	241167	538241167	1	screw
47	241036	538241036	1	spiked bumper
48	240862	538240862	8	screw self threading 4x18
C 49	248317	538248317	1	pinion cover ass'y
50 •	241066	538241066	1	pinion cover plate
51 •	241067	538241067	2	bushing
A 53	242501	538242501	2	nut M6
B 54	243017	538243017	1	cap
55	FIGURE 2			
A 56 •	241035	538241035	2	bar bolt

FIGURE 2

C 1	243033	538243033	1	motor ass'y
C 2 •	00248956	538048956	2	brushes
C 3 •	00248957	538048957	1	brushes holder
C 4 •	00216400	538216400	1	bearing
C 5 •	00216404	538216404	1	bearing

A=ALTA ROTAZIONE
 B=MEDIA ROTAZIONE
 C=ALTA ROTAZIONE
 NUOVI CODICI

A=HIGH MOVING
 B=MEDIUM MOVING
 C=SLOW MOVING
 NEW P. NUMBERS

A=HAUTE DEMANDE
 B=MOYENNE DEMANDE
 C=BASSE DEMANDE
 NOUVELLES REFERENCES

A=GROBE NACHFRAGE
 B=MITTELMAESSIGE
 C=WENIGE NACHFRAGE
 NEU CODEX